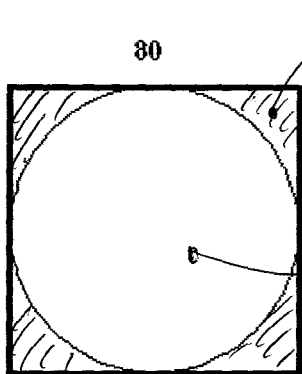


Geometry Worksheet: Area (4)

1. Calculate the shaded area inside the square of side 80.

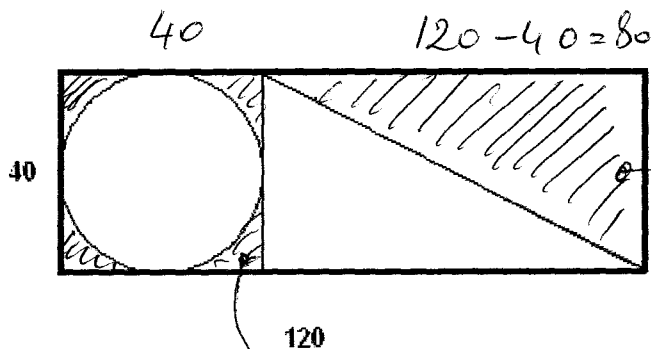


Shaded area = Area of square - Area of Circle.

$$= (80)^2 - \pi \left(\frac{80}{2}\right)^2 \approx 1373.5 \text{ (unit}^2\text{)}$$

one decimal place.

2. Calculate the shaded area inside the rectangle of width 40 and length 120.



$$\text{Shaded Area} = (40)^2 - \pi \left(\frac{40}{2}\right)^2 + \frac{1}{2} \times 40 \times 80$$

$$\approx 1943.4 \text{ (unit}^2\text{)}$$

one decimal place